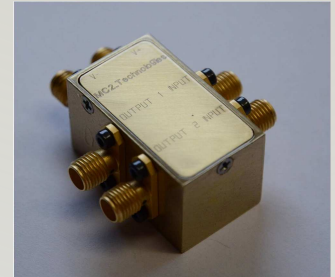
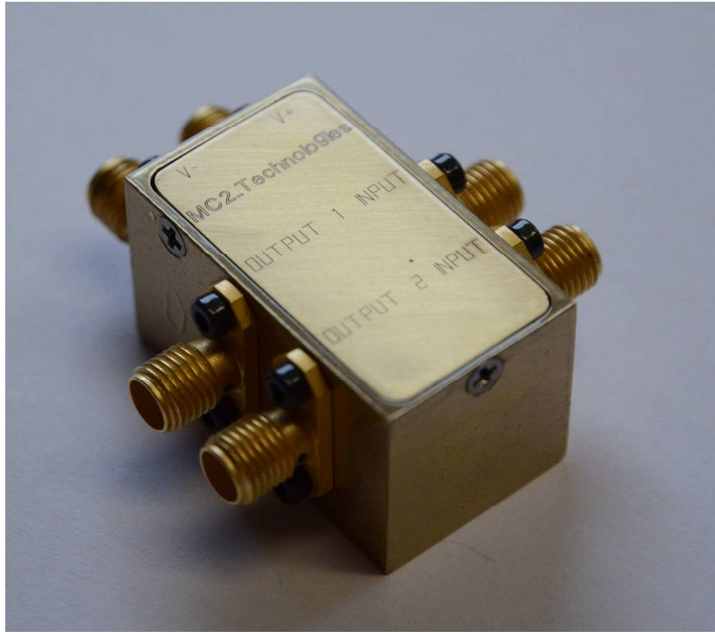


Ultra low noise amplifier DC-2KHz



Characteristics

Package	SMA fixture
Channel number	2
Frequency bandwidth	DC – 2KHz
Voltage Gain	1000
Offset range offset adjustment	+5/-5V
Power supply	+17/-17V à +20/-20V ; 30mA
Maximum output voltage	+15/-15V
Input Impedance	10kOhms

Maximum rating

Maximum voltage supply	+20/-20V
Maximum input voltage	+15/-15V

Key Features



- Ultra low noise amplifier
- High Gain
- 2 channels
- DC-2KHz
- Offset adjustment
- High input impedance

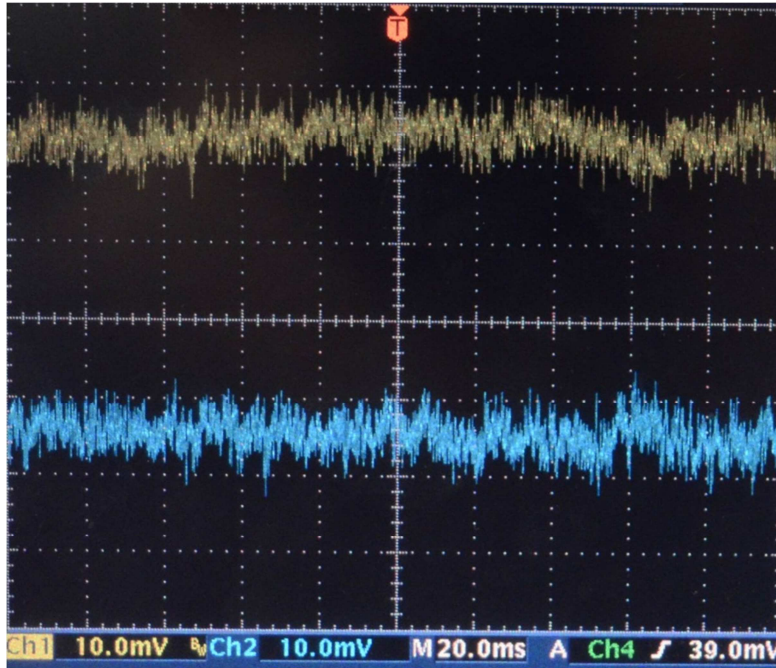
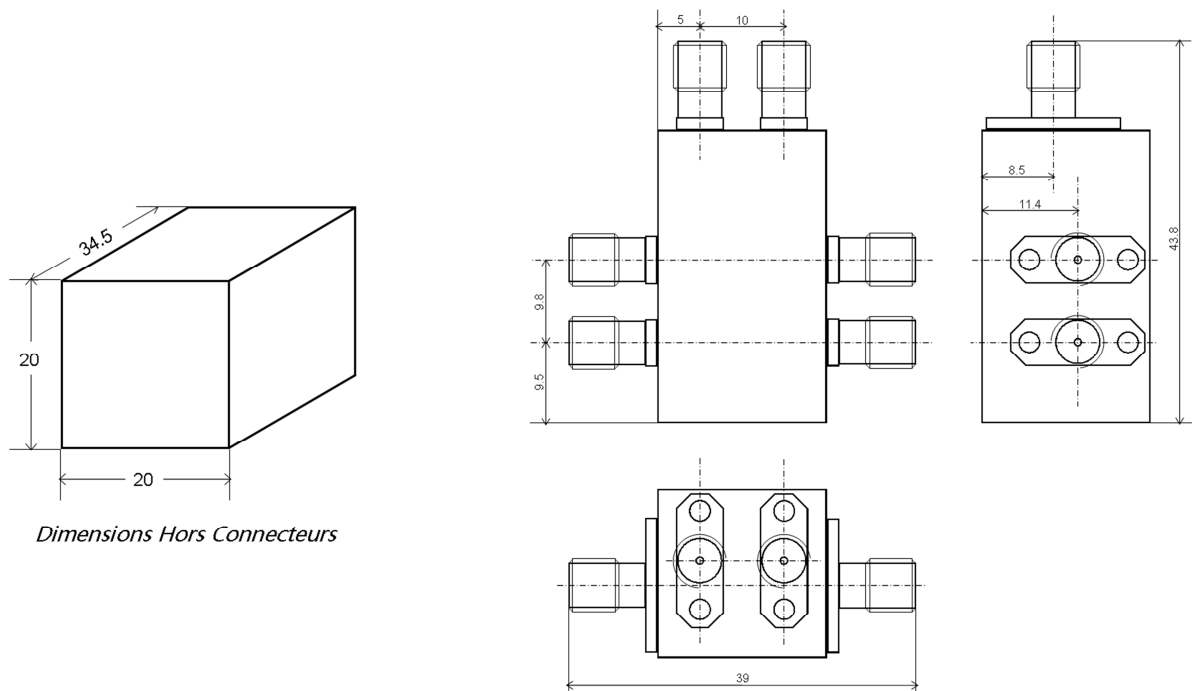


Figure 1 Noise measurement without external input load (only 10KOhms internal load).

Package layout (dimension in millimeter) :



MC2-technologies 5 rue du Colibri
 59650 Villeneuve d'Ascq
www.mc2-technologies.com
 Phone : +33(0)320 045 567